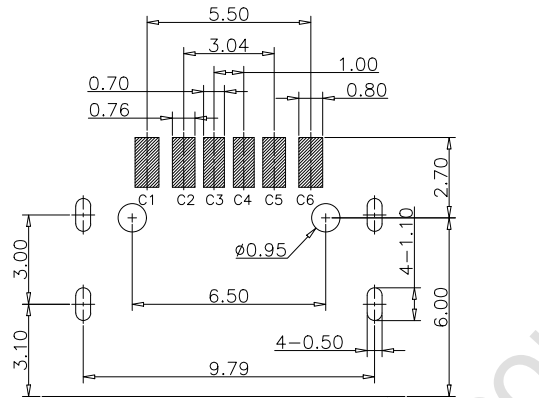
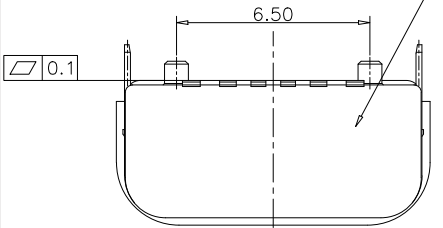
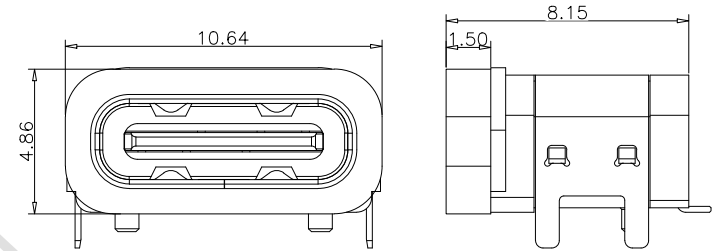




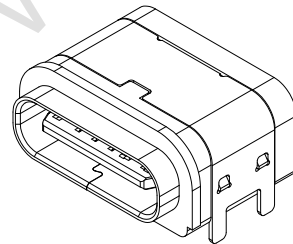
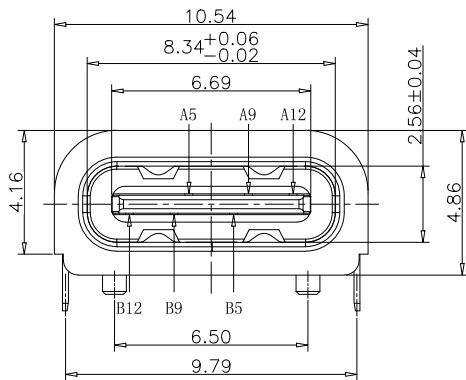
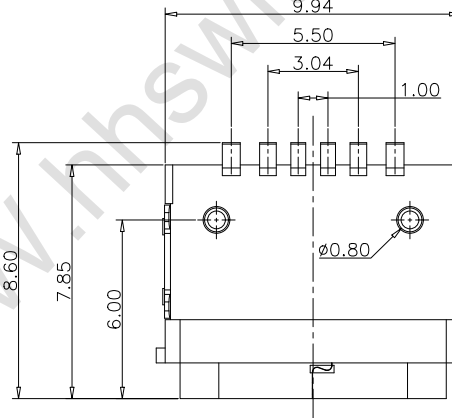
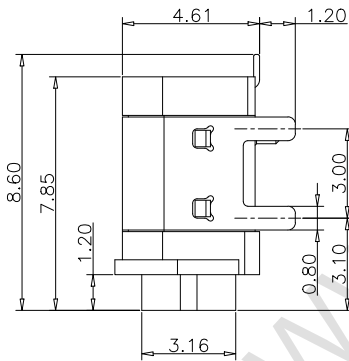
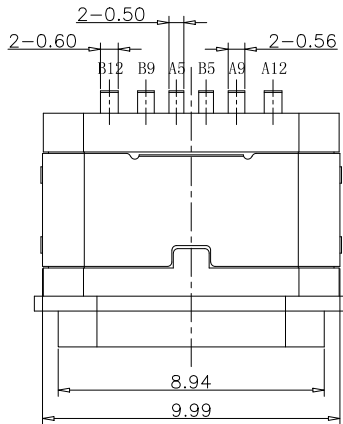
尾部端子不外露



RECOMMEND P.C.B LAYOUT(COMPONENT SIDE)
TOLERANCE FOR PCB LAYOUT IS ± 0.05



加防水圈示意图



- NOTES:
SPECIFICATION:
1.CURRENT RATING: 3.0A MAX
2.VOLTAGE: 100 VAC
3.TEMPERATURE RANGE: -30°C~+85°C
4.CONTACT RESISTANCE: 40 MILLIONHM MAX
5.INSULATION RESISTANCE: 100 MEGOHMS MIN
6.INSERTION FORCE: 5N~20N
7.UNMATING FORCE: 8N~20N
8.DURABILITY: 10000 CYCLES
9.THE PEAK TEMPERATURE ON THE BOARD SHALL BE MAINTAINED FOR 10 SECONDS AT 210-230°C
10.WATER PROOFNESS: THIS PRODUCT IS BASED ON IPX6

TABLE:

NO	PART	Q'TY	Material
1	SHELL	1	STAINLESS STEEL, NI PLATED
2	CONTACT	6	COPPER STEEL, TIN/Au/NI PLATED
3	1MD HOUSING	1	HIGH TEMPERATURE RESISTANT PLASTIC BLACK UL94 V-0
4	2MD HOUSING	1	HIGH TEMPERATURE RESISTANT PLASTIC BLACK UL94 V-0
5	SHIELDING PLATE	1	STAINLESS STEEL, NI PLATED

PIN ASSIGNMENT:

PIN NO.	A12	A4&B9	A5	B5	A9&B4	A12&B1
SIGNAL NAME	GND	VBUS	CC1	CC2	VBUS	GND
PCB PAD NO.	C1	C2	C3	C4	C5	C6

DESIGN	MISS ZENG	SC ALL		TOLERANCE	ANGLES
DRAWING	MISS LI	ANIT	mm		
CHECK	Mr. ZENG	SIZE	A4 : 210*297		
APPROVAL		VERSION	01		

品名: TYPE-C连接器
型号: TYPE-C 6P 母座防水板上 A款全包普通L=7.85 4脚



东莞市航宏电子科技有限公司
Dongguan Hanghong Electronics Co., Ltd.