

SPECIFICATION:

1. Material & Finish: See the list;
2. Mechanical:
 - 2.1. Mating force: 5-20Nf;
 - 2.2. Unmating force: Initial: 8-20Nf; Final: 6-20Nf;
 - 2.3. Durability: 10000 Cycles;
3. Electrical:
 - 3.1. Current Rating:
 - VBus Pins: 5A, Vconn Pin: 1.25A, Other Pins: 0.25A;
 - 3.2. Voltage Rating: 20V Max.;
 - 3.3. Dielectric Withstanding voltage: 100Vac, 60S, 10mA;
 - 3.4. Contact resistance: 40m Ohms Max.;
 - 3.5. Insulation Resistance: 100M Ohms Min.;
4. Environmental:
 - 4.1. Operating temperature: -40° C ~ +85° C;
 - 4.2. Salt Spray Test: 48H Min.;
 - 4.3. Wetting Temperature: 265±5° C, 5±0.5s

NO.	PART NAME	Q' TY	MATERIAL	FINISH
5	Shell	1	SUS304-3/4H, T=0.20mm	50U"Ni Min.
4	GroundBar	1	SUS301-H, T=0.12mm	No Plating
3	Down Contact	8	C1814, T=0.12mm	Au15U"MIN/50U"Ni Min.
2	Top Contact	8	C1814, T=0.12mm	Au15U"MIN/50U"Ni Min.
1	Housing	1	PA 9T	UL 94 V-0

PIN DEFINE TABLE			
PIN	SIGNAL	PIN	SIGNAL
A12	GND	B1	GND
A11	RX2+	B2	TX2+
A10	RX2-	B3	TX2-
A9	VBUS	B4	VBUS
A8	SBU1	B5	CC2
A7	D-	B6	
A6	D+	B7	
A5	CC1	B8	SBU2
A4	VBUS	B9	VBUS
A3	TX1-	B10	RX1-
A2	TX1+	B11	RX1+
A1	GND	B12	GND

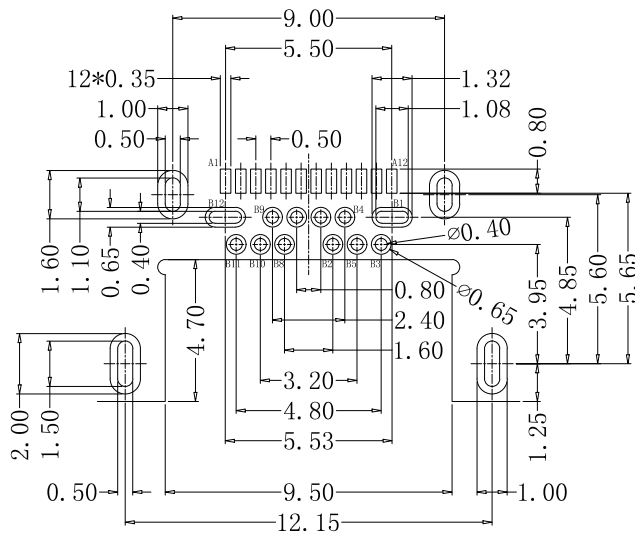


DESIGN	MISS ZENG	SC ALL		TOLERANCE	ANGLES
DRAWIGN	MISS LI	ANIT		mm	
CHECK	Mr. ZENG	SIZE		A4 : 210*297	
APPROVAL		VERSION		01	

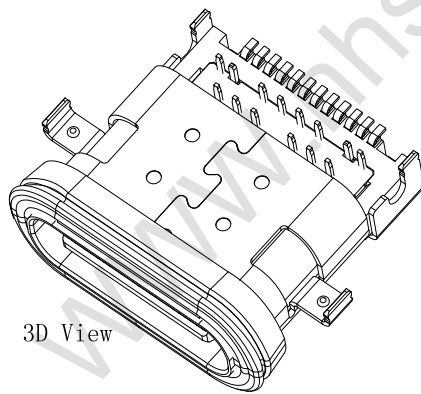
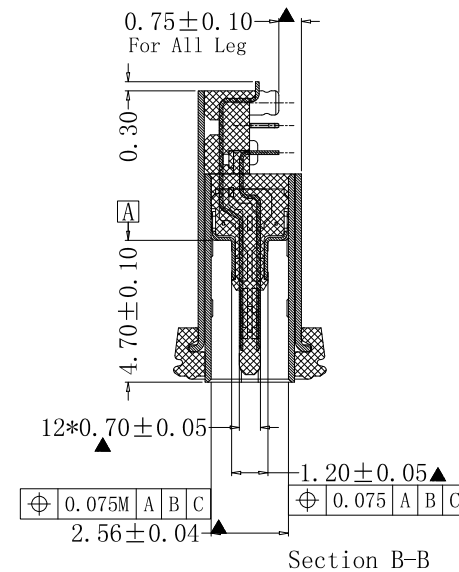
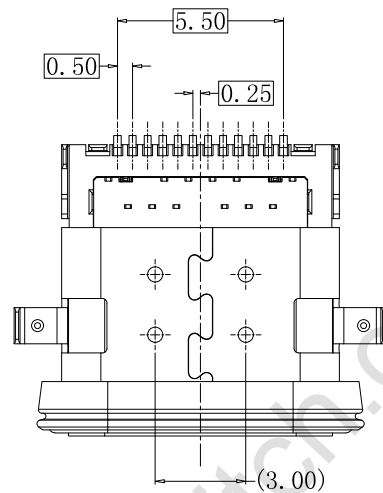
品名: TYPE-C连接器
 型号: Type-C 母座24Pin3M沉板L9.65 防水TH&SMT 加胶圈



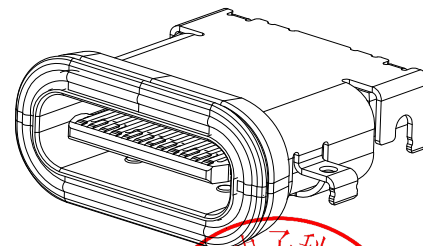
东莞市航宏电子科技有限公司
 Dongguan Hanghong Electronics Co., Ltd.



RECOMMENDED PCB LAYOUT, TOP VIEW
(THICKNESS=0.60MM; TOLERANCE: ± 0.05)



3D View



DESIGN	MISS ZENG	SC ALL			TOLERANCE	ANGLES
DRAWING	MISS LI	ANIT	mm			
CHECK	Mr. ZENG	SIZE	A4 : 210*297			
APPROVAL		VERSION	01			

品名: TYPE-C连接器
 型号: Type-C 母座24Pin3M沉板L9.65 防水TH&SMT 加胶圈



东莞市航宏电子科技有限公司
 Dongguan Hanghong Electronics Co., Ltd.